

## CHAPTER 26

# GENERAL PLUMBING REQUIREMENTS

### SECTION P2601 GENERAL

**P2601.1 Scope.** The provisions of this chapter shall govern the installation of plumbing not specifically covered in other chapters applicable to plumbing systems. The installation of plumbing, appliances, equipment and systems not addressed by this code shall comply with the applicable provisions of the *Florida Building Code, Plumbing*.

**P2601.2 Connection.** Plumbing fixtures, drains and appliances used to receive or discharge liquid wastes or sewage shall be connected to the sanitary drainage system of the building or premises in accordance with the requirements of this code. This section shall not be construed to prevent indirect waste systems.

**P2601.3 Floodplain management construction standards.** This code specifically defers to the authority granted to local government by Title 44 CFR, sections 59 and 60. This code is not intended to supplant or supercede local ordinances adopted pursuant to that authority, nor are local floodplain management ordinances to be deemed amendments to the code.

### SECTION P2602 INDIVIDUAL WATER SUPPLY AND SEWAGE DISPOSAL

**P2602.1 General.** The water-distribution and drainage system of any building or premises where plumbing fixtures are installed shall be connected to a public water supply or sewer system, respectively, if available. When either a public water-supply or sewer system, or both, are not available, or connection to them is not feasible, an individual water supply or individual (private) sewage-disposal system, or both, shall be provided.

**P2602.2 Flood-resistant installation.** In areas prone to flooding as established by Table R301.2(1):

1. Water supply systems shall be designed and constructed to prevent infiltration of floodwaters.
2. Pipes for sewage disposal systems shall be designed and constructed to prevent infiltration of floodwaters into the systems and discharges from the systems into floodwaters.

### SECTION P2603 STRUCTURAL AND PIPING PROTECTION

**P2603.1 General.** In the process of installing or repairing any part of a plumbing and drainage installation, the finished floors, walls, ceilings, tile work or any other part of the building or premises that must be changed or replaced shall be left in a safe structural condition in accordance with the requirements of the building portion of this code.

**P2603.2 Drilling and notching.** Wood-framed structural members shall not be drilled, notched or altered in any manner except as provided in Sections R502.2.5, R602.1.3.1, R602.2.7, R802.2.6 and R802.2.6.1. Holes in cold-formed steel-framed load-bearing members shall only be permitted in accordance with Sections R506.2, R603.2 and R804.2. In accordance with the provisions of Sections R603.3.4 and R804.3.5 cutting and notching of flanges and lips of cold-formed steel-framed load-bearing members shall not be permitted.

**P2603.2.1 Protection against physical damage.** In concealed locations, where piping, other than cast-iron or galvanized steel, is installed through holes or notches in studs, joists, rafters or similar members less than 1.5 inches (38 mm) from the nearest edge of the member, the pipe shall be protected by shield plates. Protective shield plates shall be a minimum of 0.062-inch-thick (1.6 mm) steel, shall cover the area of the pipe where the member is notched or bored and shall extend a minimum of 2 inches (51 mm) above sole plates and below top plates.

**P2603.3 Breakage and corrosion.** Pipes passing through or under walls shall be protected from breakage. Pipes passing through concrete or cinder walls and floors, cold-formed steel framing or other corrosive material shall be protected against external corrosion by a protective sheathing or wrapping or other means that will withstand any reaction from lime and acid of concrete, cinder or other corrosive material. Sheathing or wrapping shall allow for expansion and contraction of piping to prevent any rubbing action. Minimum wall thickness of material shall be 0.025 inch (0.64 mm).

**P2603.4 Sleeves.** Annular spaces between sleeves and pipes shall be filled or tightly caulked as approved by the building official. Annular spaces between sleeves and pipes in fire-rated assemblies shall be filled or tightly caulked in accordance with the building portion of this code.

**P2603.5 Pipes through footings or foundation walls.** Any pipe that passes under a footing or through a foundation wall shall be provided with a relieving arch; or there shall be built into the masonry wall a pipe sleeve two pipe sizes greater than the pipe passing through.

**P2603.6 Freezing.** Where the design temperature is less than 32°F (0°C), a water, soil or waste pipe shall not be installed outside of a building, in attics or crawl spaces, or be concealed in outside walls in any location subjected to freezing temperatures, unless adequate provision is made to protect it from freezing by insulation or heat or both. A water service pipe shall be installed not less than 12 inches (305 mm) deep or less than 6 inches (152 mm) below the frost line.

**P2603.6.1 Sewer depth.** Building sewers that connect to private sewage disposal systems shall be a minimum of [NUMBER] inches (mm) below finished grade at the point of

septic tank connection. Building sewers shall be a minimum of [NUMBER] inches (mm) below grade.

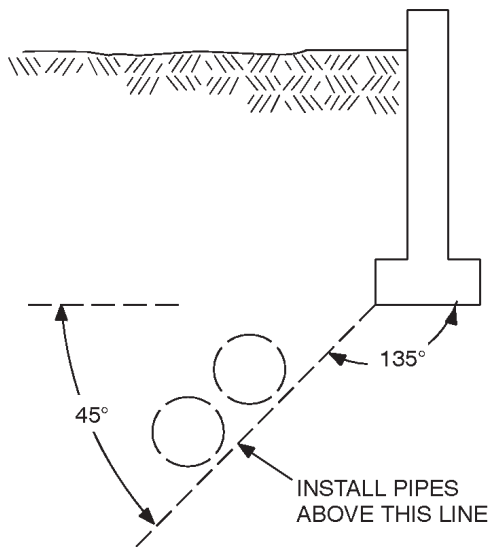
**SECTION P2604  
TRENCHING AND BACKFILLING**

**P2604.1 Trenching and bedding.** Where trenches are excavated such that the bottom of the trench forms the bed for the pipe, solid and continuous load-bearing support shall be provided between joints. Where over-excavated, the trench shall be backfilled to the proper grade with compacted earth, sand, fine gravel or similar granular material. Piping shall not be supported on rocks or blocks at any point. Rocky or unstable soil shall be over-excavated by two or more pipe diameters and brought to the proper grade with suitable compacted granular material.

**P2604.2 Common trench.** See Section P2904.4.2.

**P2604.3 Backfilling.** Backfill shall be free from discarded construction material and debris. Backfill shall be free from rocks, broken concrete and frozen chunks until the pipe is covered by at least 12 inches (305 mm) of tamped earth. Backfill shall be placed evenly on both sides of the pipe and tamped to retain proper alignment. Loose earth shall be carefully placed in the trench in 6-inch (152 mm) layers and tamped in place.

**P2604.4 Protection of footings.** Trenching installed parallel to footings shall not extend below the 45-degree (0.79 rad) bearing plane of the bottom edge of a wall or footing (see Figure P2604.4).



For SI: 1 degree = 0.018 rad.

**FIGURE P2604.4  
PIPE LOCATION WITH RESPECT TO FOOTINGS**

**SECTION P2605  
SUPPORT**

**P2605.1 General.** Piping shall be supported in accordance with the following:

1. Piping shall be supported to ensure alignment and prevent sagging, and allow movement associated with the expansion and contraction of the piping system.
2. Piping in the ground shall be laid on a firm bed for its entire length, except where support is otherwise provided.
3. Hangers and anchors shall be of sufficient strength to maintain their proportional share of the weight of pipe and contents and of sufficient width to prevent distortion to the pipe. Hangers and strapping shall be of approved material that will not promote galvanic action. Rigid support sway bracing shall be provided at changes in direction greater than 45 degrees (0.79 rad) for pipe sizes 4 inches (102 mm) and larger.
4. Piping shall be supported at distances not to exceed those indicated in Table P2605.1.

**SECTION P2606  
WATERPROOFING OF OPENINGS**

**P2606.1 General.** Roof and exterior wall penetrations shall be made water tight. Joints at the roof, around vent pipes, shall be made water tight by the use of lead, copper or galvanized iron flashings or an approved elastomeric material. Counterflashing shall not restrict the required internal cross-sectional area of any vent.

**SECTION P2607  
WORKMANSHIP**

**P2607.1 General.** Valves, pipes and fittings shall be installed in correct relationship to the direction of the flow. Burred ends shall be reamed to the full bore of the pipe.

**SECTION P2608  
MATERIALS EVALUATION AND LISTING**

**P2608.1 Identification.** Each length of pipe and each pipe fitting, trap, fixture, material and device used in a plumbing system shall bear the identification of the manufacturer.

**P2608.2 Installation of materials.** All materials used shall be installed in strict accordance with the standards under which the materials are accepted and approved. In the absence of such installation procedures, the manufacturer's installation instructions shall be followed. Where the requirements of referenced standards or manufacturer's installation instructions do not conform to the minimum provisions of this code, the provisions of this code shall apply.

**P2608.3 Plastic pipe, fittings and components.** All plastic pipe, fittings and components shall be third-party certified as conforming to NSF 14.

**P2608.4 Third-party testing and certification.** All plumbing products and materials shall comply with the referenced standards, specifications and performance criteria of this code and shall be identified in accordance with Section P2608.1. Where required by Table P2608.4, plumbing products and materials

**TABLE P2605.1  
PIPING SUPPORT**

PIPING MATERIAL	MAXIMUM HORIZONTAL SPACING (feet)	MAXIMUM VERTICAL SPACING
ABS pipe	4	10 <sup>b</sup>
Aluminum tubing	10	15
Brass pipe	10	10
Cast-iron pipe	5 <sup>a</sup>	15
Copper or copper alloy pipe	12	10
Copper or copper alloy tubing (1 <sup>1</sup> / <sub>4</sub> inch diameter and smaller)	6	10
Copper or copper alloy tubing (1 <sup>1</sup> / <sub>2</sub> inch diameter and larger)	10	10
Cross-linked polyethylene (PEX) pipe	2.67 (32 inches)	10 <sup>b</sup>
Cross-linked polyethylene/aluminum/cross-linked polyethylene (PEX-AL-PEX) pipe	2.67 (32 inches)	4 <sup>b</sup>
CPVC pipe or tubing (1 inch in diameter and smaller)	3	10 <sup>b</sup>
CPVC pipe or tubing (1 <sup>1</sup> / <sub>4</sub> inch in diameter and larger)	4	10 <sup>b</sup>
Lead pipe	Continuous	4
PB pipe or tubing	2.67 (32 inches)	4
Polyethylene/aluminum/polyethylene (PE-AL-PE) pipe	2.67 (32 inches)	4 <sup>b</sup>
Polypropylene (PP) pipe or tubing 1 inch and smaller	2.67 (32 inches)	10 <sup>b</sup>
Polypropylene (PP) pipe or tubing, 1 <sup>1</sup> / <sub>4</sub> inches and larger	4	10 <sup>b</sup>
PVC pipe	4	10 <sup>b</sup>
Stainless steel drainage systems	10	10 <sup>b</sup>
Steel pipe	12	15

For SI: 1 inch = 25.4 mm, 1 foot = 304.8 mm.

a. The maximum horizontal spacing of cast-iron pipe hangers shall be increased to 10 feet where 10-foot lengths of pipe are installed.

b. Midstory guide for sizes 2 inches and smaller.

**TABLE P2608.4  
PRODUCTS AND MATERIALS REQUIRING THIRD-PARTY TESTING AND THIRD-PARTY CERTIFICATION**

PRODUCT OR MATERIAL	THIRD-PARTY CERTIFIED	THIRD-PARTY TESTED
Backflow prevention devices	Required	—
Plumbing appliance	Required	—
Plumbing fixtures	—	Required
Potable water supply system components and potable water fixture fittings	Required	—
Sanitary drainage and vent system components	Plastic pipe, fittings, and pipe related components	All others
Special waste system components	—	Required
Storm drainage system components	Plastic pipe, fittings, and pipe related components	All others
Subsoil drainage system components	—	Required
Waste fixture fittings	Plastic pipe, fittings, and pipe related components	All others
Water distribution system safety devices	Required	—

## GENERAL PLUMBING REQUIREMENTS

shall either be tested by an approved third-party testing agency or certified by an approved third-party certification agency.

**P2608.5 Water supply systems.** Water service pipes, water distribution pipes and the necessary connecting pipes, fittings, control valves, faucets and all appurtenances used to dispense water intended for human ingestion shall be evaluated and listed as conforming to the requirements of NSF 61.

# FLORIDA BUILDING CODE

# 2nd DRAFT

# COPYRIGHT® ICC 2007

**FLORIDA BUILDING CODE**

**2nd DRAFT**

**COPYRIGHT® ICC 2007**