

TESTING APPLICATION STANDARD (TAS) No. 100-95
TEST PROCEDURE FOR WIND AND WIND DRIVEN RAIN
RESISTANCE OF DISCONTINUOUS ROOF SYSTEMS

1. Scope

- 1.1 This Protocol covers the determination of the water infiltration resistance of all discontinuous roof systems, consisting of a prepared roof covering and underlayment, when applied at slopes of 2 in:12 in. or greater over a nailable deck.
- 1.2 The test procedures outlined in this Protocol determine whether a discontinuous roof system, consisting of an underlayment and a prepared roof covering, provides sufficient wind driven rain resistance to allow no water infiltration through the deck sheathing during a pre-determined test period.
- 1.3 All testing and calculations shall be conducted by an approved testing agency and all test reports, including calculations, shall be signed by a Professional Engineer or Registered Roof Consultant.

2. Referenced Documents

- 2.1 *ASTM Standards:*
 - D1079 Standard Definitions and Terms Relating to Roofing, Waterproofing and Bituminous Materials
 - E 380 Excerpts from the Standard Practice for Use of the International System of Units (SI) (the Modernized Metric System)
- 2.2 *International Conference of Building Officials*
Acceptance Criteria for Special Roofing Systems
- 2.3 *The Florida Building Code, Building.*
- 2.4 *The American Plywood Association*
Performance Standards and Polices for Structural-Use Panels

- 2.5 *Roof Consultants Institute*
Glossary of Terms

3. Terminology & Units

- 3.1 Definitions - For definitions of terms used in this specification, refer to ASTM D 1079, Chapters 2 and 15 (High-Velocity Hurricane Zones) *Florida Building Code, Building*; and/or the RCI Glossary of Terms. The definitions from the *Florida Building Code, Building* shall take precedence.
- 3.2 Units - For conversion of U.S. customary units to SI units, refer to ASTM E 380.

4. Significance and Use

- 4.1 The test procedure provides a means for establishing the resistance to wind driven rain of the discontinuous roof system, consisting of underlayment and a prepared roof covering. This test procedure has not been contemplated to measure the performance of the prepared roof covering and underlayment to maximum winds and/or uplift forces anticipated in Chapter 15, High-Velocity Hurricane Zone, of the *Florida Building Code, Building*.

5. Apparatus

- 5.1 The Test Frame
 - 5.1.1 The test frame shall consist of a 10' long x 8' wide base structure, constructed from wood or steel framing, and a wood deck, constructed from plywood sheathing. Deck support joists shall be placed at 24 in. centers (See Figure 1, attached). The deck slope shall be adjustable or multiple interchangeable decks shall be available to test specimens at slopes of 2 in., 3 in., 3½ in., 4 in., 5 in. and 6 in. in 12 in. The deck support assembly shall be capable of

supporting not less than 55 lb per square foot of dead load.

5.1.2 The test frame shall not be constructed against the side of a wall or other structure which is taller than the frame.

5.1.3 The test frame shall be rigidly supported during the test period.

5.2 The Wind Generator(s)

5.2.1 The wind generator(s) shall provide a constant wind profile over the entire width of the test specimens for the specified time period to a maximum wind speed of 110 mph.

5.2.2 If the wind generator(s) is unable to provide the required constant profile, as determined by windstream calibration (Section 7.1), airflow from the wind generator(s) shall be directed and smoothed by suitably shaped baffles. (See Figure 2, attached)

5.3 Water Supply

5.3.1 Water shall be supplied to the wind stream using a sprinkle-pipe system mounted on a movable frame capable of simulating a uniform 8.8 in. per hour of rainfall over the test specimen. The simulated rainfall and flow meters shall be calibrated and the water distribution shall be checked as noted in Sections 7.2 and 7.3, respectively.

6. Test Limitations and Precautions

6.1 During the test, all testing agency representatives and other test observers shall wear ear and eye protection and hard hats to prevent injury.

6.2 This Protocol may involve hazardous materials, operations and equipment. This Protocol does not purport to address all of the safety problems associated with its use. It is the responsibility of the user to consult and establish appropriate safety and health practices and determine the ap-

plicability of regulatory limitations prior to use.

7. Calibration

7.1 Windstream Calibration:

7.1.1 Prior to conducting the test, the windstream velocity shall be measured on a vertical plane grid, having dimensions of 8' wide by 4' high and grid dimensions of 24 in. x 24 in., located two feet in front of the test frame with the lower eight foot dimension in line with the front edge of the test frame (See Figure 2, attached).

7.1.2 The measured windstream velocity within each grid square shall be within $\pm 10\%$ of the required axial velocity for each wind speed. The windspeed shall be measured using a pitot tube connected directly to a U-tube or calibrated pressure sensing device such as a magna helix gauge. Convert the reading of inches of water to miles per hour (MPH). Pressure sensing device shall be capable of reading to the nearest 0.1 inch of water.

7.1.3 Calibration of the wind stream velocity shall be conducted every six months or whenever any change is made to any wind tunnel component.

7.2 Simulated Rainfall and Flow Meter Calibration - A maximum of three months prior to conducting the test, the flow meter(s) shall be calibrated using the following method:

7.2.1 Capture any water which would enter the windstream during an actual test.

7.2.2 Allow water to flow through the flow meter into the tared 5 gallon bucket for a period of 1 minute. Set the flow meters to deliver 8.8 inches of water per hour and record the flow meter reading in gallons per minute during the process.

- 7.2.3 Convert the flow meter reading ($\frac{\text{gallons}}{\text{minute}}$) to rainfall simulation ($\frac{\text{inches}}{\text{hour}}$) using the following formula:

$$\left[\frac{\left(\frac{\text{gallons}}{\text{minute}} \right) \times \left(\frac{60 \text{ minutes}}{1 \text{ hour}} \right) \times \left(\frac{231 \text{ in}^3}{1 \text{ gallon}} \right)}{11,520 \text{ in}^2} \right] = \left(\times \frac{\text{inches}}{\text{hour}} \right)$$

- 7.2.4 The quantity of rainfall simulation determined in 7.2.3 shall be within $\pm 5\%$ of the desired rainfall simulation of $8.8 \frac{\text{inches}}{\text{hour}}$.

- 7.2.5 Measure the volume of water (in^3) captured and convert this to rainfall simulation ($\frac{\text{inches}}{\text{hour}}$) using the following formula:

$$\left[\frac{\left(\frac{\text{inches}^3}{11,520 \text{ inches}^2} \right)}{1 \text{ minute}} \times \left(\frac{60 \text{ minutes}}{1 \text{ hour}} \right) \right] = \left(y \frac{\text{inches}}{\text{hour}} \right)$$

- 7.2.6 The rainfall simulation determined in 7.2.3 (x) shall be within $\pm 5\%$ of the rainfall simulation determined in 7.2.5 (y).

- 7.3 Water Distribution Check - **The water distribution check over the (8 ft. x 10 ft.) flat test deck (without valley) shall be checked and calibrated every six months using the method outlined herein. Water distribution system must be adjusted so that the water introduced into the wind stream strikes the deck.**

- 7.3.1 Prepare ten (10) 24 in. squares of thick absorptive material and weigh each sample. From this data, determine the average weight of the samples.

- 7.3.2 **Prepare twenty (20) numbered squares of absorptive material and lay out on deck four horizontally across the deck and five vertically up the deck. Place a hold-down frame over the test deck and squares of absorptive material.**

- 7.3.3 Set the test frame to **2 inches per foot of slope.**

- 7.3.4 Set the wind speed to 35 mph and add water to the windstream at a constant rate, as indicated on the flow meter, until the absorptive material is wet but not saturated, at which time the wind and water flow shall be terminated. Record the duration of time required to 'wet' the material.

- 7.3.5 **Remove the hold-down frame from the deck and rapidly weigh the squares of wet absorptive material. Determine the weight of water striking each square sample at the particular wind speed and flow meter setting.**

- 7.3.6 No one particular square sample shall exhibit a rainfall simulation (determined in 7.3.5) greater than or less than 25% of the average weight of all 20 squares.

- 7.3.7 Repeat steps 7.3.2 through 7.3.5 at a wind speed of 70 mph.

- 7.3.7.1 No one particular square sample shall exhibit a rainfall simulation, **measured in weight**, greater than or less than **25% of the average weight of all 20 squares.**

8. Test Specimens

8.1 Deck

- 8.1.1 The wood test deck shall consist of APA 32/16 span rated sheathing of $\frac{15}{32}$ in. thickness installed over 2 in. x 6 in. perimeter supports and 2 in. x 6 in. intermediate supports spaced 24 in. apart. The sheathing shall be attached with 8d common nails at 6 in. o.c. at panel edges and 12 in. o.c. at intermediate supports. One valley shall be constructed into the test deck, located at the deck's front edge, as noted on Figure 1, attached.

- 8.1.2 The wood test deck shall be positioned at the minimum slope, as applicable in the High-Velocity Hurricane Zone jurisdiction, for the type of discontinuous roof

system being tested, but not less than 2 in:12 in.

8.2 Underlayment and Prepared Roof Covering

8.2.1 Underlayment and prepared roof covering shall be installed in strict compliance with the manufacturer's published installation instructions and the minimum installation requirements set forth in Section 1518 of the Florida Building Code, Building. The requirements of the Florida Building Code, Building shall take precedence.

8.3 The areas subject to the test criteria shall consist of the field area of the test deck, the eave, the valley, one rake section.

8.4 The test specimen shall be inspected by a Professional Engineer or Registered Roof Consultant who shall confirm in the final report that the method of construction is in compliance with the specifications of this protocol.

9. Conditioning - conditioning need not be performed on mechanically attached, rigid, discontinuous roof systems.

9.1 Conditioning shall consist of three days of exposure to outside environmental conditions during which time the surface temperature of the prepared roof covering shall reach not less than 135°F for a period of six hours in each day. The surface temperature shall be measured with a surface mounted thermocouple and recorded to confirm that the specified surface temperature is attained for the specified period of time on each day.

9.2 Should the surface temperature fail to reach the specified temperature for the specified time period on each of three days, the test deck shall be conditioned for one additional day or until the surface temperature has been at 135°F for a total of 18 hours.

9.3 As an alternative, conditioning may consist of 16 continuous hours of deck exposure to minimum relative humidity of 80% ±5% and a minimum temperature of 135°F to 140°F in a closed cell or room.

9.4 Care must be taken not to damage, twist or distort the test specimen during handling as this may affect the test specimen's performance.

9.5 After the conditioning procedure is complete, the test deck shall be allowed to come to ambient temperature prior to testing.

10. Test Procedure

10.1 The test specimen shall be positioned on the test frame at the minimum slope proposed for installation but not less than 2 in:12 in.

10.2 The test specimen shall be positioned so that the exposed edge of the 8 foot eave is facing the wind generator(s) and to accommodate an observer under the deck for the duration of the test period.

10.3 The topside and underside of the test specimen shall be photographed immediately prior to starting the test.

10.4 The wind speed intervals shall be conducted as noted below.

Interval #	Wind speed (mph)	Time (min.)
1	35	15
2	0	10
3	70	15
4	0	10
5	90	15
6	0	10
7	110	5
8	0	10

The test shall terminate at the end of the final ten (10) minute 0 mph interval.

10.5 Water shall be added to the windstream upon commencement of the initial wind speed, upwind from the test deck, in an even spray, at a rate to simulate 8.8 in. per hour of rainfall over the test specimen. The flow of water shall be measured with a calibrated flow meter during the test procedure to confirm water flow. Water flow shall be stopped and started in conjunction with the air flow intervals noted in 10.4. Photographs shall be taken of the top side and underside of the test speci-

men 30 seconds prior to the completion of each interval noted in Section 10.4.

10.6 The observer shall monitor any water infiltration from the underside of the test specimen, recording approximate quantities penetrating the deck structure during the test period. Should the volume of water increase to a steady dripping in three or more places during the test period, the test shall be terminated prior to maximum wind speed. Water penetrating the test shall be contained and measured. The observer shall also monitor any damage to the test specimen or any component thereof.

10.7 The top side and underside of the test specimen shall be photographed immediately subsequent to test termination.

11. Report

11.1 The final test report shall include the following:

11.1.1 A description of the discontinuous roof system, including the manufacturer and type of underlayment; the manufacturer and type of prepared roof covering; the slope(s) at which the system was tested.

11.1.2 A detailed report of the method of construction, including a sketch of the test specimen; certification by a Professional Engineer or Registered Roof Consultant that the test specimen was constructed in compliance with the specifications of this Protocol; and, a copy of the published application instructions provided by the prepared roof covering manufacturer.

11.1.3 A description of the method of conditioning used.

11.1.4 A description of the absorptive material used during the water distribution check.

11.1.5 Photographs of the top side and underside of the test specimen immediately prior and subsequent to commencement and termination of testing, respectively.

11.1.6 Photographs of the top side and underside of the test specimen 30 seconds prior to completion of each interval noted in Section 10.4.

11.1.7 All windstream calibration data (from Section 7.1); simulated rainfall and flow meter calibration data and calculations (from Section 7.2); and water distribution data and calculations (from Section 7.3).

11.1.8 Detailed observations of water infiltration through the sheathing and the times and locations of water infiltration.

11.1.9 The volume of water (if any) which infiltrated the sheathing in the area of the ridge vent on the second test specimen and was contained.

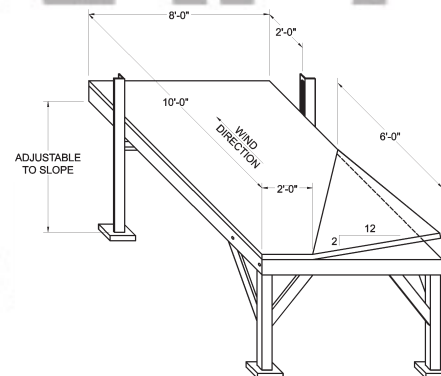


FIGURE 1
WIND-DRIVEN RAIN TEST FRAME

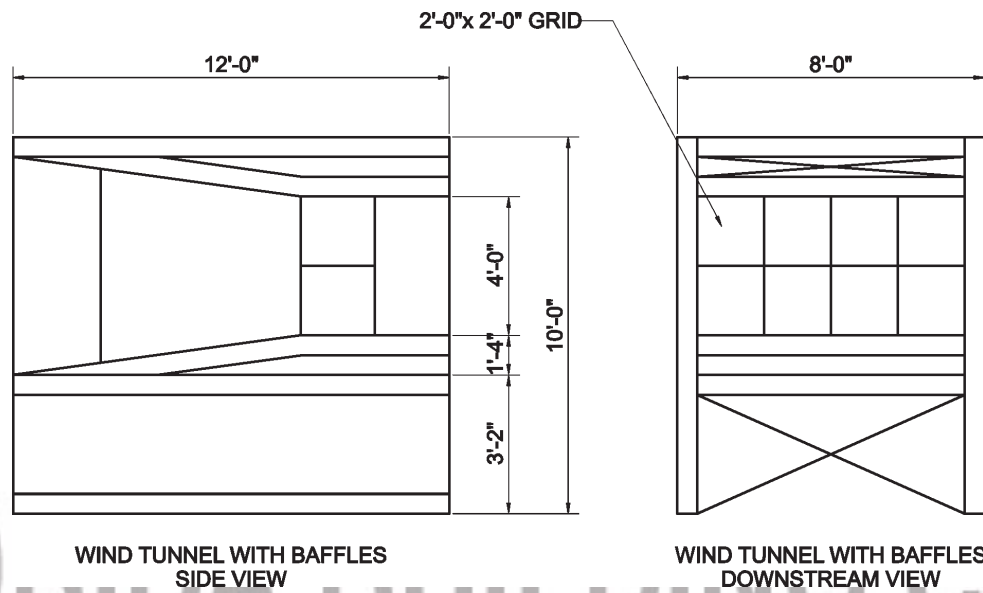


FIGURE 2
WIND DRIVEN RAIN WIND TUNNEL

11.1.10 Any test specimen which exhibits water infiltration through the sheathing shall be considered as failing the wind driven rain test.

11.1.11 Any test specimen which has the prepared roof covering or any portion thereof 'blow off', tear or blow upward without reseating during the test shall be considered as failing the wind driven rain test.

COPYRIGHT® ICC 2007