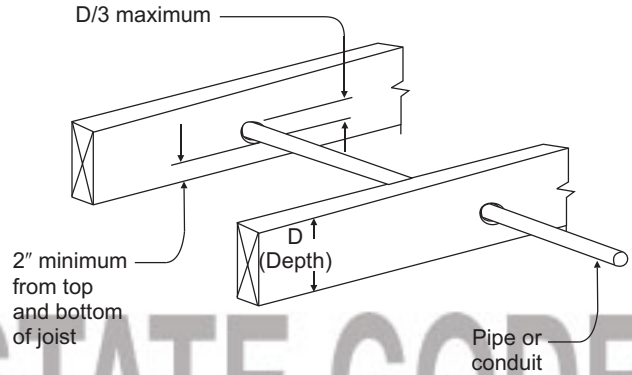
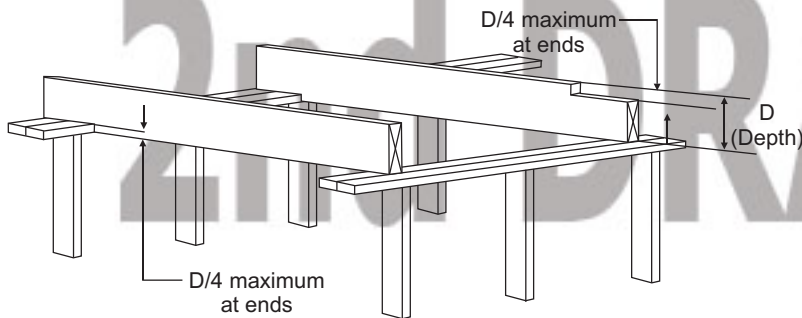


APPENDIX C STRUCTURAL SAFETY

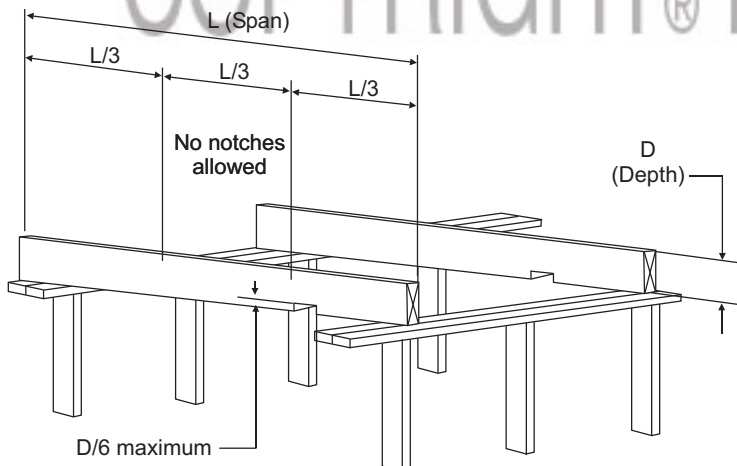


NEW YORK STATE CODE

BORED HOLES IN JOISTS



NOTCHES AT ENDS OF JOISTS



2nd DRAFT

COPYRIGHT® ICC 2005

